



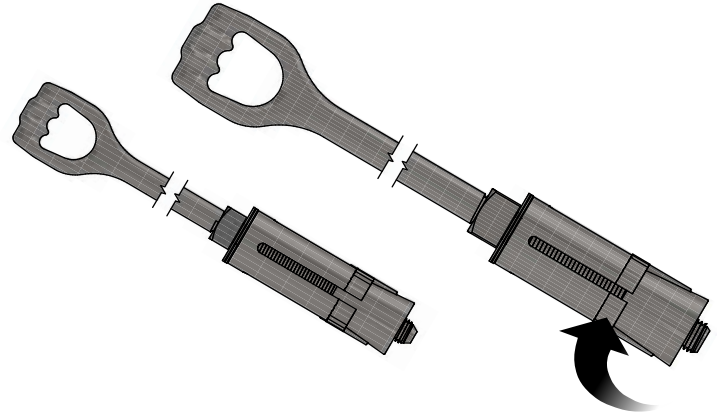
CHANCE[®]

EXPANDING ROCK ANCHOR QUICK GUIDE

SOCKET STYLE

Quick Installation Tips

1. Drill hole in solid rock based on rod diameter
 - a. 3/4" dia. rod = 2" dia. hole
 - b. 1" dia. rod = 2-1/2" dia. hole
2. Check fit of unexpanded rock anchor against drilled hole. If needed, expand the rock anchor above ground by manually turning the lower wedge clockwise as shown. This will cause the wedge to travel up the threads and expand the socket walls. The rock anchor assembly should be able to slide freely into the drilled hole yet be a snug enough fit to allow further torque/tightening once the desired depth has been reached.
3. Access complete instructions at hpsdelivers.com/anchors or scan the QR code with your phone's camera.



**Scan this QR code
for complete instructions.**

These instructions do not purport to cover all details or variations in equipment nor to provide for every possible contingency to be met in connection with installation, operation or maintenance. Should further information be desired or should particular problems arise which are not covered sufficiently for the purchaser's purposes, the matter should be referred to Hubbell Power Systems, Inc.

For product inquiries, please contact your local sales representative or customer service representative.

©2021 Hubbell Incorporated.

Because Hubbell has a policy of continuous product improvement, we reserve the right to change design and specifications without notice. Printed in the U.S.A. | TD06165E

www.HPSdelivers.com/Anchors